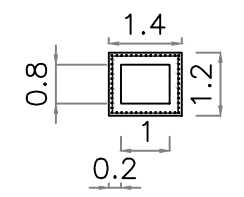
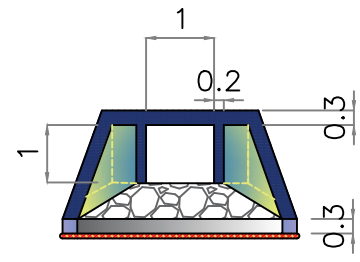
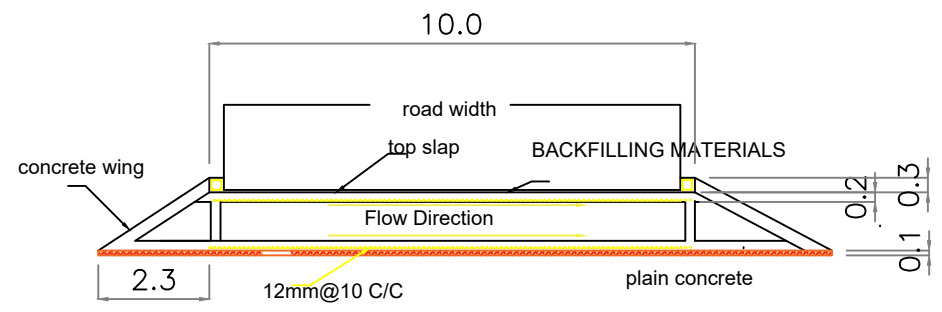
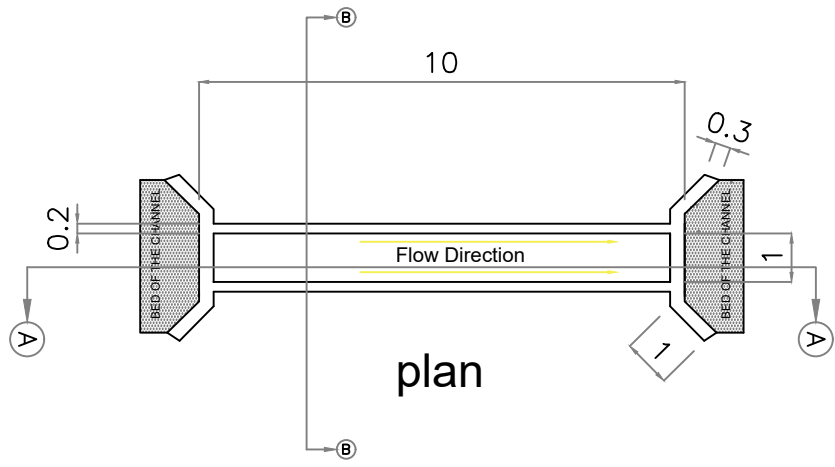


Note:
 -all dimension in meter.
 -drawing for Box Culvert at
 the main rood near
 warehouse
 -Culvert Slope 1%

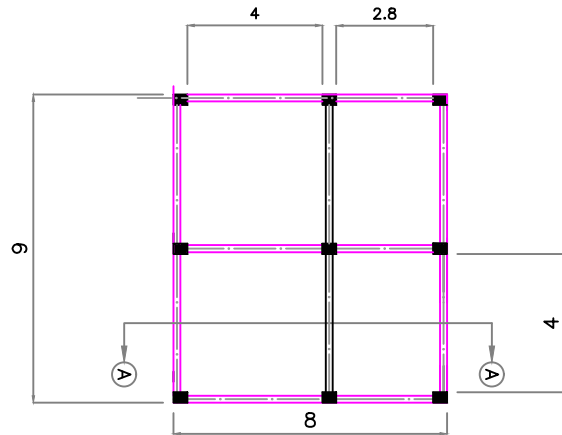


Owner Name	Location	Design For	Design By	Draw By	SCALE
UNHCR	Kassala	Box Culvert(0.8*0.8*1) length 10m	Eng. Ibrahim Mahmoud	Eng. Eslam Tarig	1 : 100

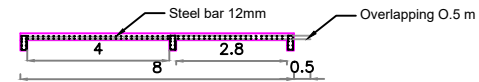
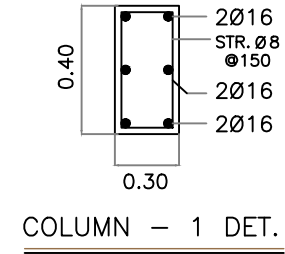
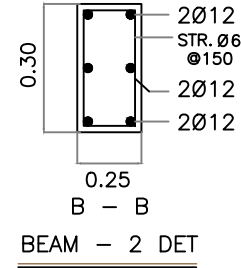


North

Note:
all dimension in meter.
drawing Show Conference
room(9*8) (Beams
Plan,Slab Section and
beamand coulmn detiles



BEAMS PLAN



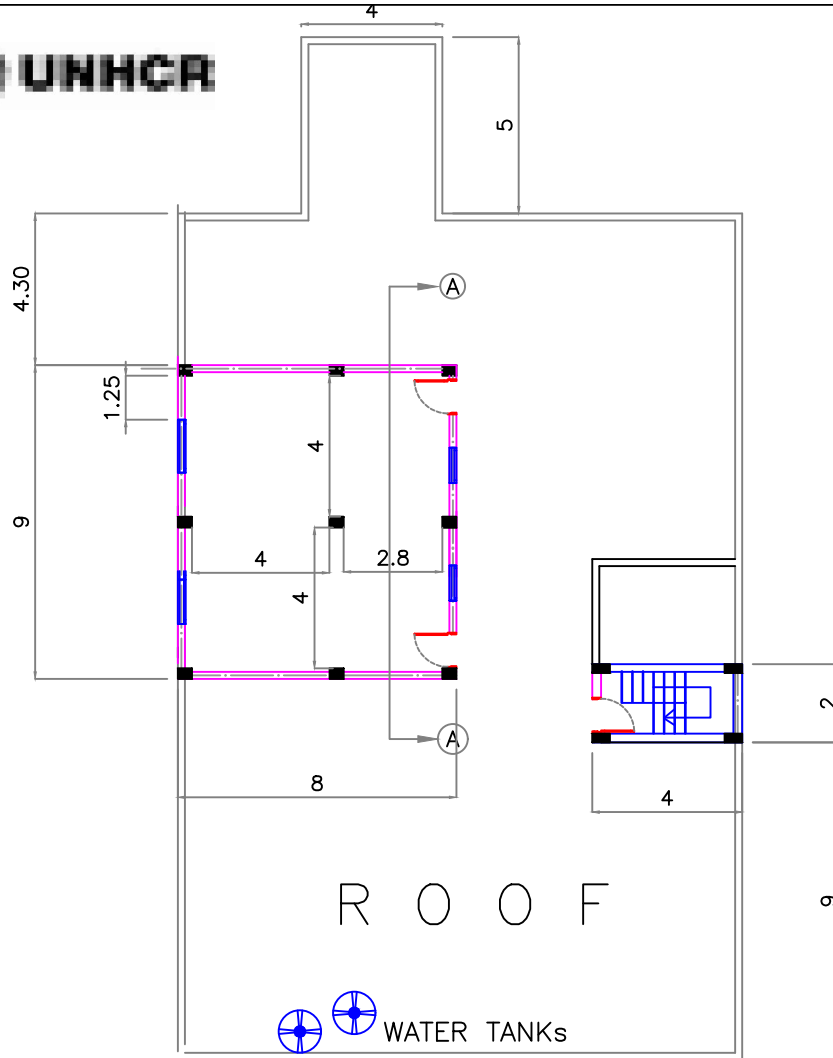
SLAB SECTION A - A

Owner Name	Location	Design For	Design By	Draw By	SCALE
UNHCR	AL-Girba	New Concrete room at first Floor	Eng. Ibrahim Mahmoud	Eng. Eslam Tarig	1 : 100

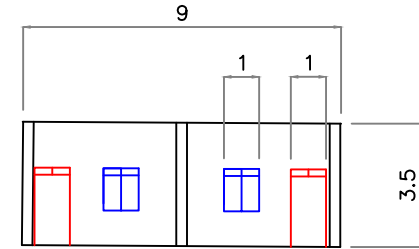


North

Note:
all dimension in meter.
drawing Show Conference
room(9*8) with Steel
Overlapping 0.5 m for
Coulms,Beams and Slab .

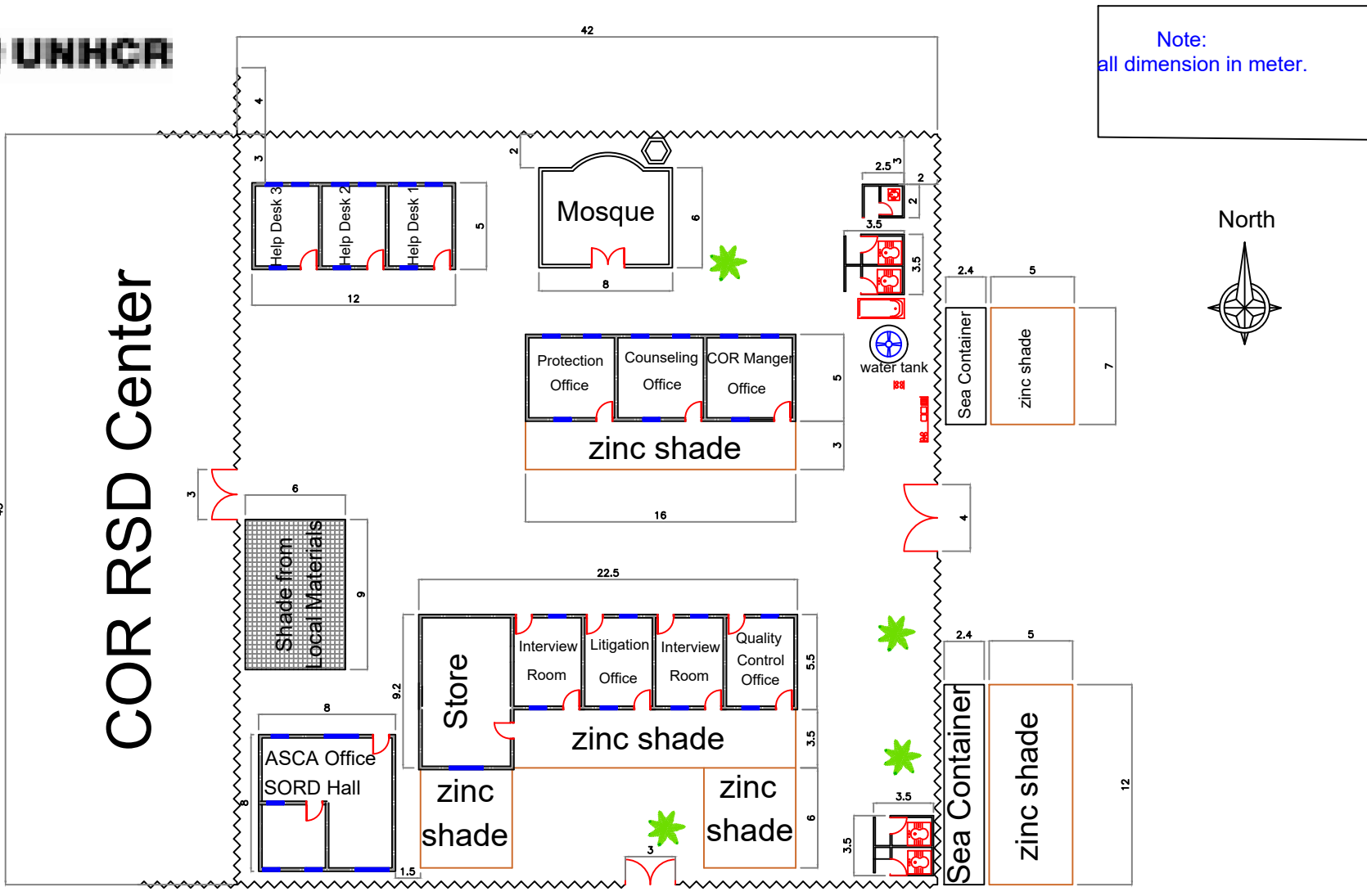


FIRST FLOOR PLAN



Room Front Elevation

Owner Name	Location	Design For	Design By	Draw By	SCALE
UNHCR	AL-Girba	New Concrete room at first Floor	Eng. Ibrahim Mahmoud	Eng. Eslam Tarig	1 : 100



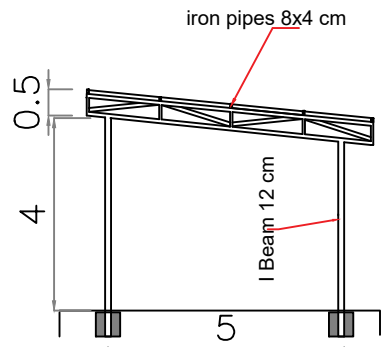
Note:
all dimension in meter.



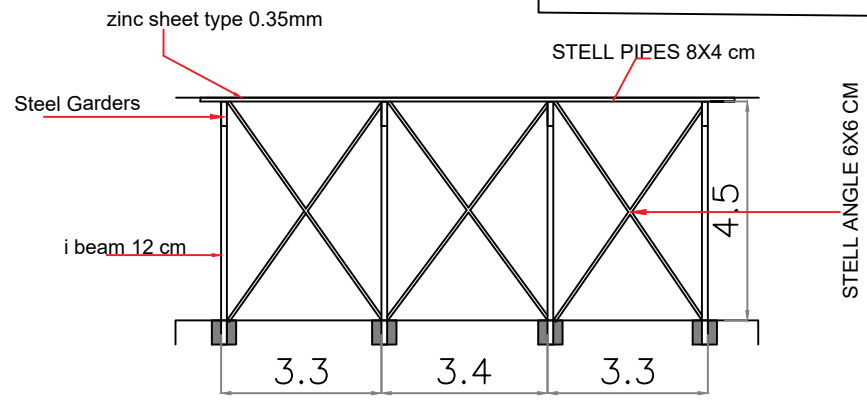
Owner Name	Location	Design For	Design By	Draw By	SCALE
UNHCR	Shagrab Camp	COR Registration Center	Eng. Ibrahim Mahmoud	Eng. Eslam Tarig	1 : 100



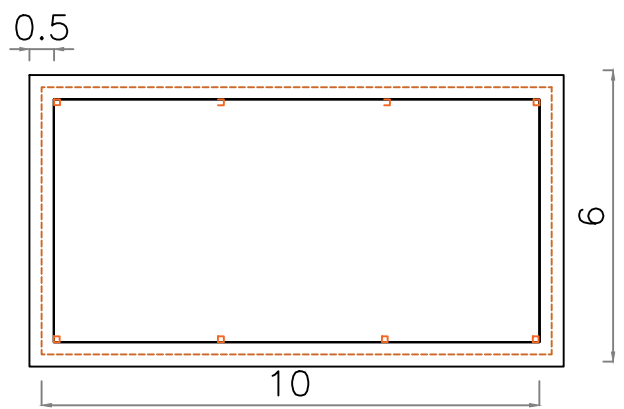
Note:
 -all dimension in meter.
 -drawing for Fuel Tank Shade at UNHCR warehouse



Front Elvation



FRONT ELEVATION

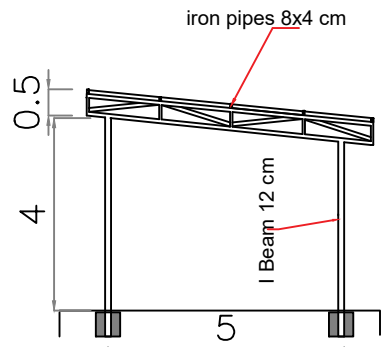


PLAN

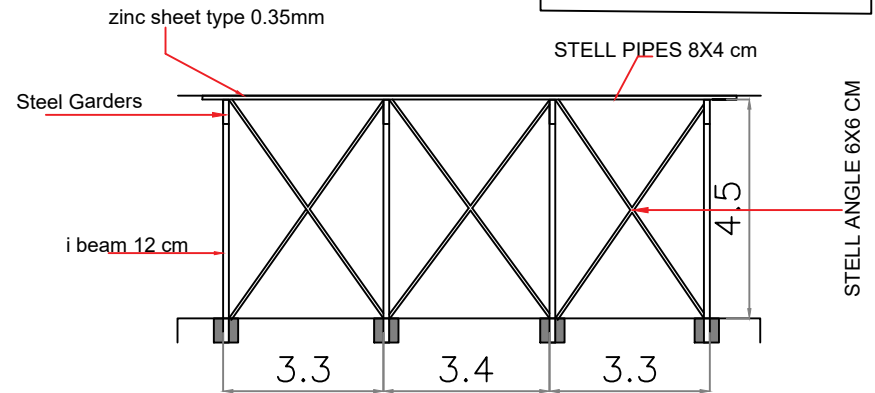
Owner Name	Location	Design For	Design By	Draw By	SCALE
UNHCR	Al-Girba	Fuel Tank Shade	Eng. Ibrahim Mahmoud	Eng. Eslam Tarig	1 : 100



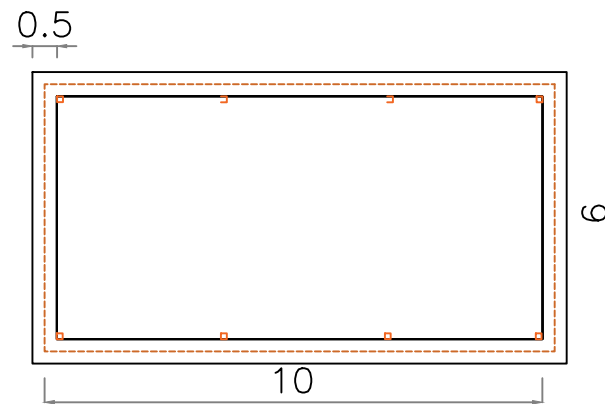
Note:
 -all dimension in meter.
 -drawing for Fuel Tank Shade at UNHCR warehouse



Front Elvation

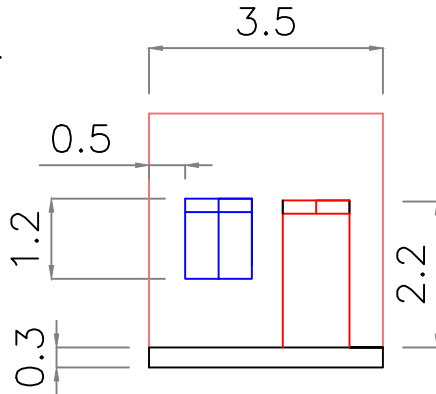


FRONT ELEVATION

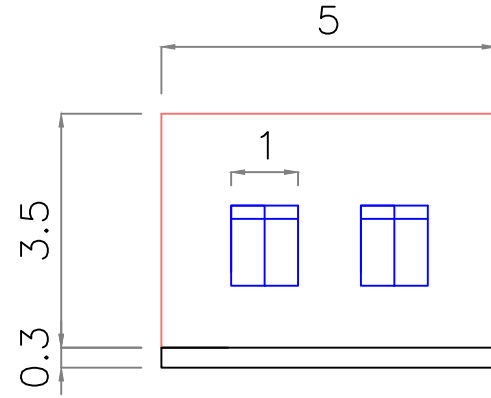


PLAN

Owner Name	Location	Design For	Design By	Draw By	SCALE
UNHCR	Kassala	Fuel Tank Shade	Eng. Ibrahim Mahmoud	Eng. Eslam Tarig	1 : 100

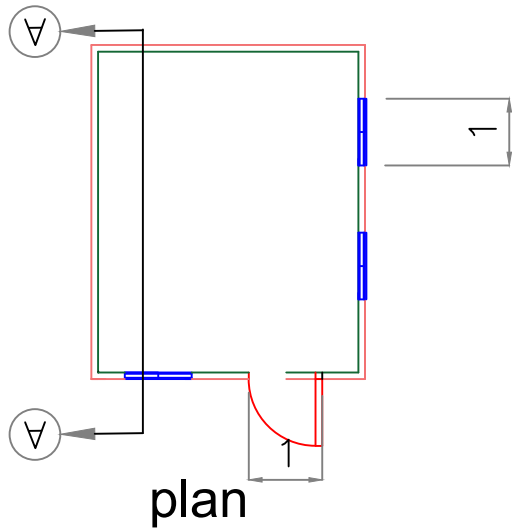


Front Elevation

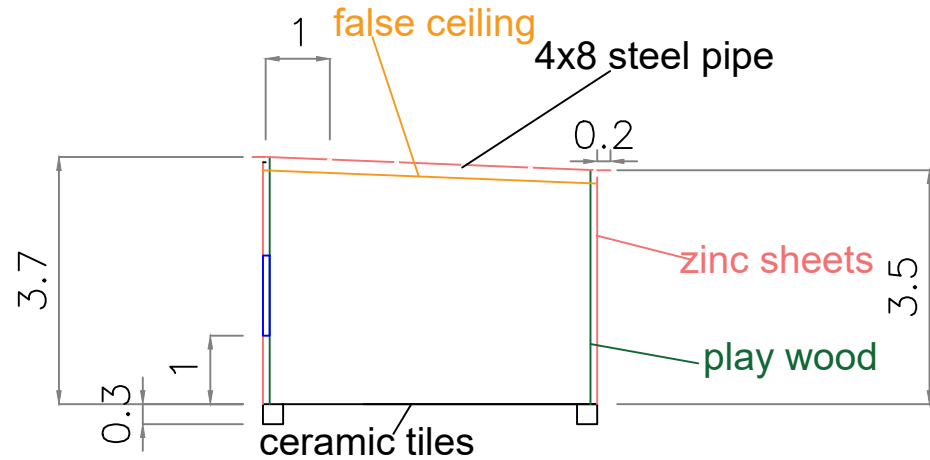


Front Elevation

Note:
all dimension in meter.
drawing for new zinc room
(3.5*5 m) at Parking area
near old room.

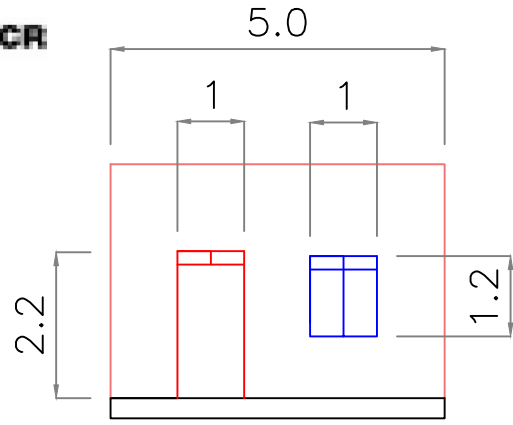


plan

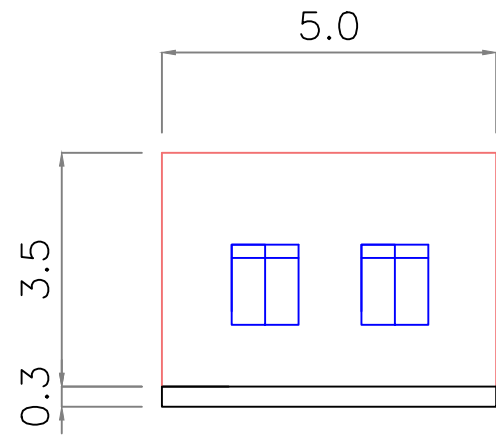


Section A-A

Owner Name	Location	Design For	Design By	Draw By	SCALE
UNHCR	Kassala Office	New Zinc room at UNHCR Parking	Eng. Ibrahim Mahmoud	Eng. Eslam Tarig	1 : 100

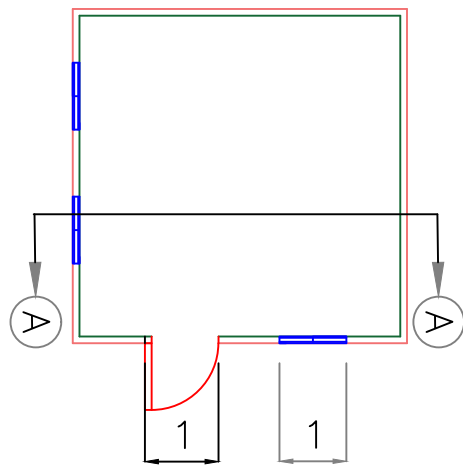


Front Elevation

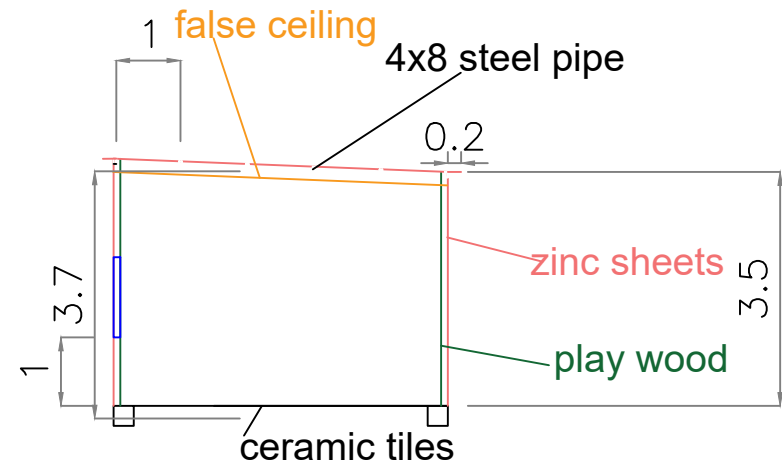


Front Elevation

Note:
all dimension in meter.
drawing for new zinc room
(5*5m) at UNHCR Yard.

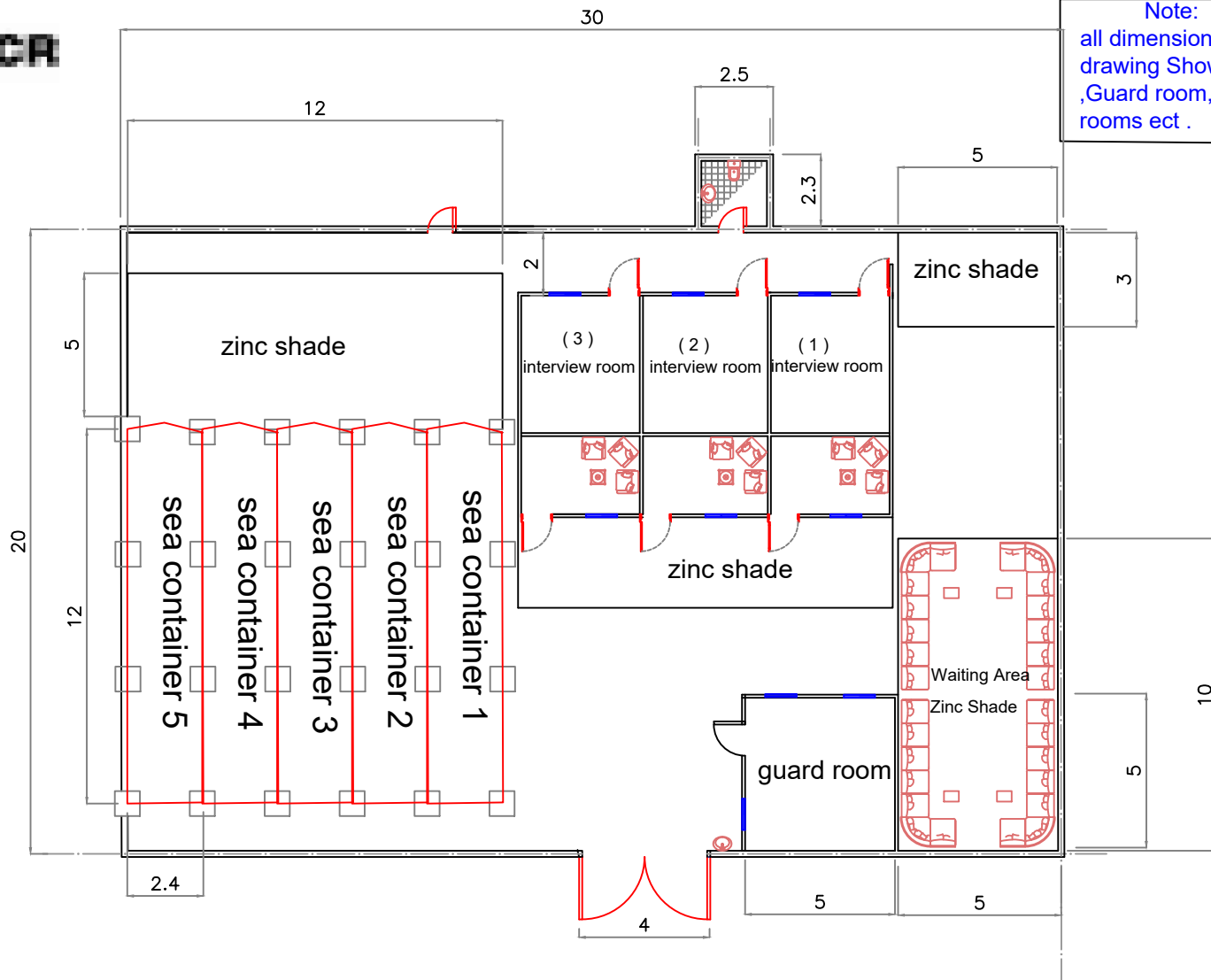


plan



Section A-A

Owner Name	Location	Design For	Design By	Draw By	SCALE
UNHCR	Kassala Office	New Zinc room at Yard	Eng. Ibrahim Mahmoud	Eng. Eslam Tarig	



Note:
all dimension in meter.
drawing Show 5 containers
,Guard room,3 interview
rooms ect .

Owner Name	Location	Design For	Design By	Draw By	SCALE
UNHCR	Kassala	New Constructions at UNHCR Yard	Eng. Ibrahim Mahmoud	Eng. Eslam Tarig	1 : 100